



COMMERCIAL

Refrigeration Equipment Mega Top Table, 48" with 18GN1/6 containers - Stainless Steel (R290)

ITEM # _____

MODEL # _____

NAME # _____

SIS # _____

AIA # _____



738260 (KCHMT48.18)

2-Door Mega Top Prep 48
" Long 18-1/6 Pan

Short Form Specification

Item No. _____

2-door mega top refrigerated preparation table. Exterior back panel in aluminium, exterior bottom panel in galvanized steel, exterior side and top panel in 430 stainless steel; interior back, top and interior bottom panels in 304 stainless steel, worktop in 430 stainless steel. Built-in refrigeration unit and an insulated lid to maintain food freshness. Fin & Tube Condenser improves performance in high-temperature environments. Automatic Defrost Cooling System to provide worry-free performances.

Full-depth cutting board of 48x9x0,5 in.

Control panel, Vinyl-Coated Steel adjustable shelves, removable door gaskets and self-closing doors with 90-degree stay-open feature.

Temperature range: +33/+41°F.

R290 gas in the refrigeration circuit.

ETL Safety and Sanitation certifications.

3/5 Years warranty.

Main Features

- External temperature display.
- Removable gasket for easy cleaning operations.
- Hydrocarbon refrigerant gas R290 for the lowest environmental impact (GWP=3) - CFC and HCFC free.
- Fin & Tube Condenser improves performance in high temperature environments.
- Automatic Defrost Cooling System provides worry-free performance.
- Electronic Temperature Control, quick and simple to set, with control display for easy monitoring.
- Full Depth cutting board.
- Cabinet completely insulated with high density polyurethane for low environmental impact.
- Heavy duty Vinyl coated steel shelves.

Construction

- Self-closing door with 90-degree stay-open feature.
- Heavy duty casters.
- Insulated lid maintains food freshness.
- Holds 18 1/6 pans.
- Pre-wired heavy duty power cord.
- Heavy duty door hinges.
- Magnetic gasket removable without tools for easy cleaning.

Sustainability

- CFC and HCFC free, highly ecological refrigerant type: R290 (ecological gas in foam: cyclopentane). Hydrocarbon refrigerant gas R290 for the lowest environmental impact (GWP=3), to reduce green house and ozone depletion effects.
- High efficiency components to minimize the energy consumption still guaranteeing the highest performances.

Optional Accessories

- shelf for 48" and 72" (left/right) mega top, salad and undercounter PNC 880597
- shelf clips PNC 880611
- drawers kit for 48" mega top & undercounter PNC 880616

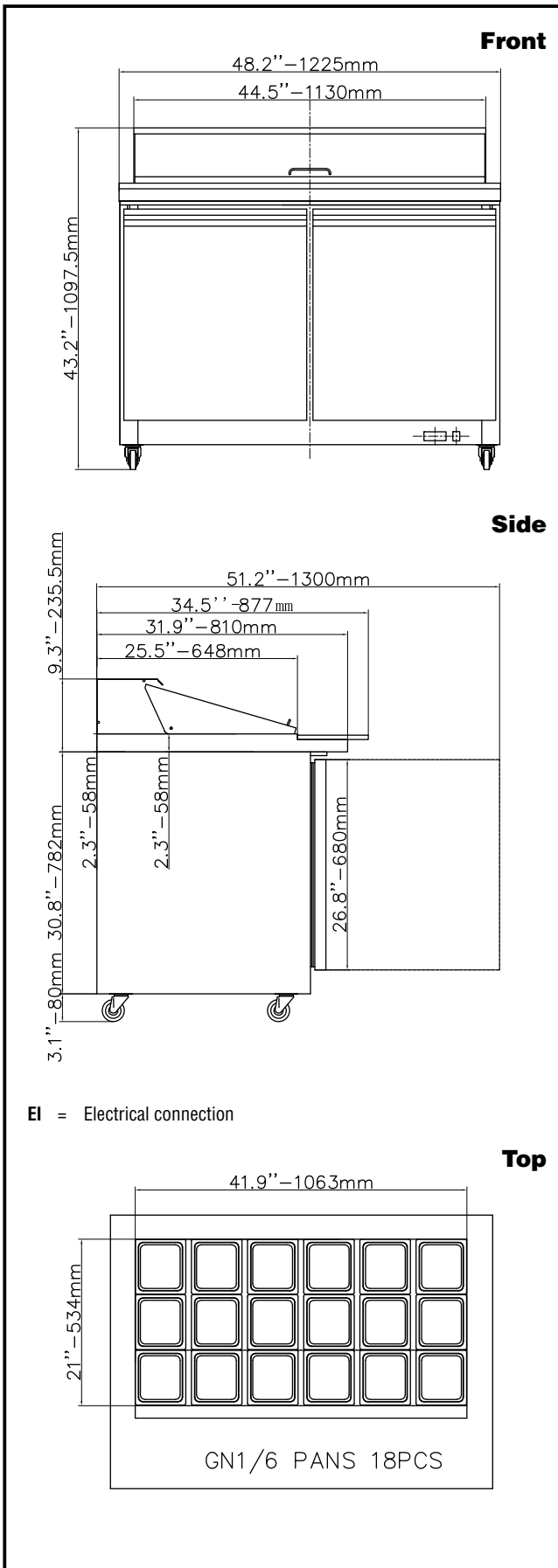
APPROVAL: _____

Part of



Electrolux
Professional
Group

Kelvinator Commercial
www.kelvinatorcommercial.com



Electric

Supply voltage:

738260 (KCHMT48.18) 115 V/1 ph/60 Hz

Electrical power, max:

0.7 kW

Plug type:

USA NEMA 5-15P

Capacity:

Gross capacity: 12 cu.feet

Key Information:

Door hinges:	1 Left+1 Right
External dimensions, Width:	48 1/4" (1225 mm)
External dimensions, Depth:	34 1/2" (877 mm)
External dimensions, Height:	43 3/16" (1097.5 mm)
Number and type of doors:	2 Full
Internal Dimensions (depth):	23 13/16"
Internal Dimensions (height):	23 1/2"
Internal Dimensions (width):	42 13/16"
Shipping height:	47 1/4" (1200 mm)
Shipping weight:	320 lbs (145 kg)
Shipping volume:	48.78 ft ³ (1.38 m ³)
Number and type of grids (included):	2 - Vinyl-Coated Steel
Type of external material:	Stainless Steel
Type of internal material:	Polystyrene
Warranty:	3 / 5 years

Refrigeration Data

Compressor power:	
Operating temperature min.:	32 °F
Operating temperature max.:	41 °F
Condenser type:	Fin & tube
Defrost type:	Auto Defrost

Sustainability

Current consumption:	7 Amps
Refrigerant type:	R290
Refrigerant weight:	90 g